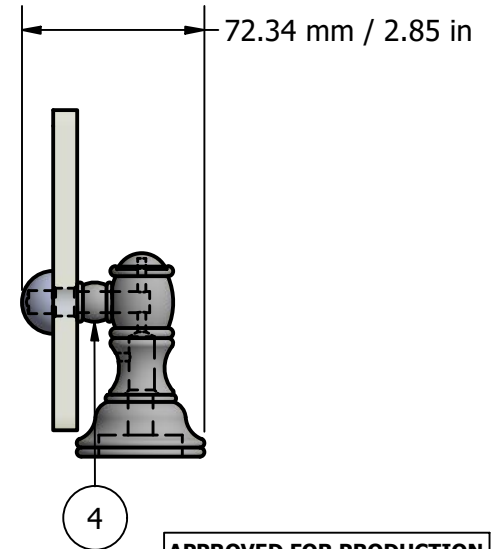
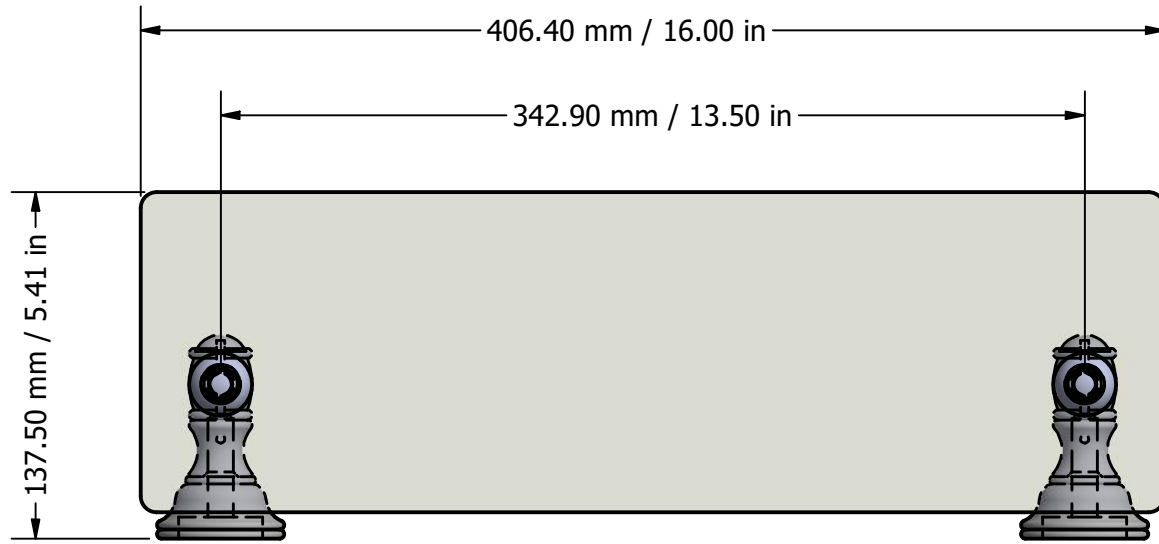
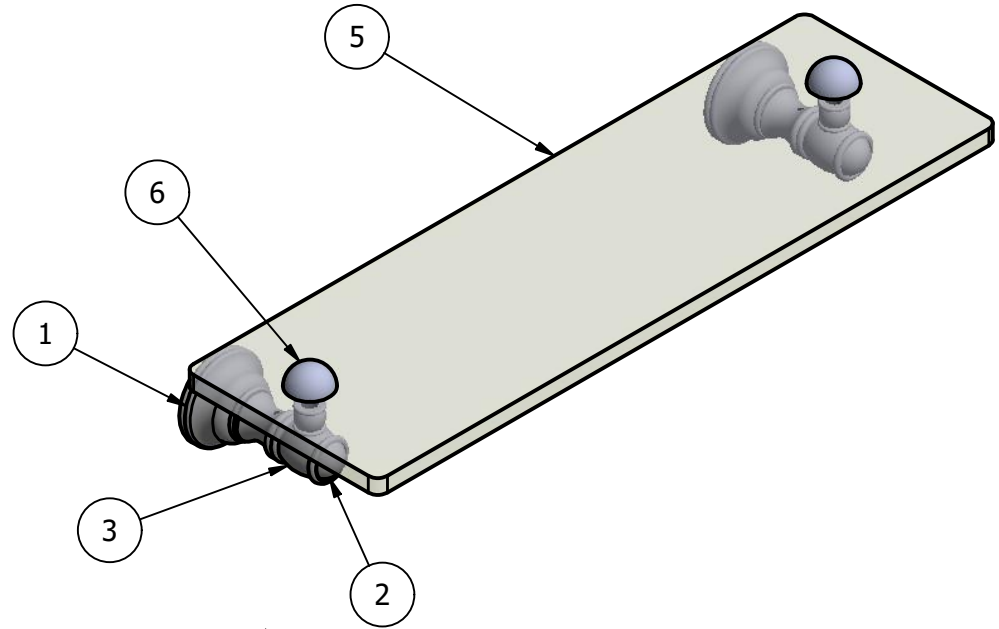


PARTS LIST			
ITEM	QTY	PART NUMBER	DESCRIPTION
1	2	TBBS-2	BACKPLATE
2	3	CL-CAP	CAP
3	3	TSPS-2	POST
4	2	PSRD-78	HUB
5	1	GLRT-16	16" GLASS
6	2	CAHR-1	CAP



UNLESS OTHERWISE SPECIFIED	
.X	± .3mm
.XX	± .15mm
.XXX	± .008mm

UNIT IS IN MM.

DRAWN	12-19-18	IM
CHECKED	12-19-18	P.D.
APPROVED	12-19-18	R.A.

MATERIAL:	BRASS
DESCRIPTION:	Carolina 16 Inch Glass Shelf



FINISH	TBD
QTY	TBD
DRAWING NO.	CL-1-16
SCALE	1.5:1 SHEET: 1 OF 1
REV	0

**APPROVED FOR PRODUCTION**  
 By: RICHARD PAUL  
 Date: 12-19-18

2

1